

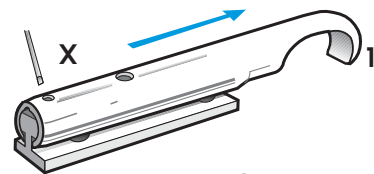
# BRAMAH FITTING INSTRUCTIONS

## Rola Renown Locking Bolt for Wood and Metal

### Tools required

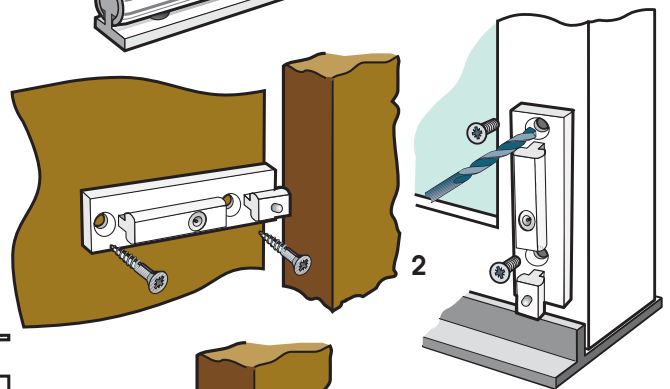
- Chisels 19mm (3/4") and 13mm (1/2")
- Mallet
- Pencil
- Rule
- Screwdrivers - medium and small
- Electric Drill with 4.6mm twist drill
- Centre Punch
- A spirit level in excess of 800mm for the longest bolts

**1** Using a small screwdriver depress the pin at **X** and slide the bolt from the plate.

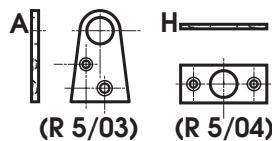


**2** Position and screw plate to wooden doors with screws provided.

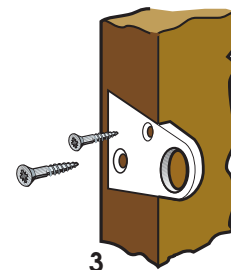
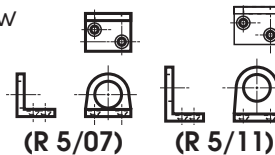
When fixing to a metal door, centre punch the position of the fixing screws and drill two 4.6mmØ holes and secure the plate with the self tapping screws provided.



**3** Fix an **A** (R 5/03) or **H** (R 5/04) staple to the door frame.

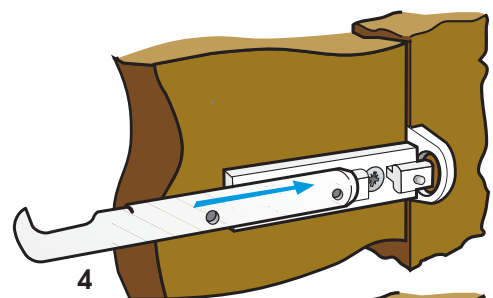


When frame construction does not allow an **A** or **H** staple to be used, two sizes of **L** staple are available, 14.5mm (R 5/07) or 22mm (R 5/11) from base of the **L** to the hole centre.

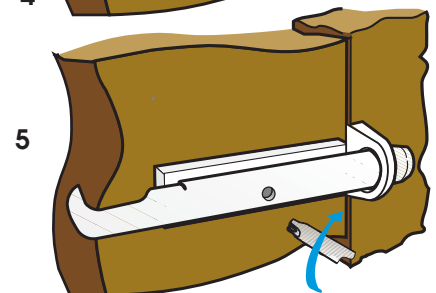


On metal applications the bolt can be secured against or in the metal frame. A 2mm packing piece (R 5/08) is available to locally increase the thickness of a Crittall frame.

**4** To re-assemble, slide bolt along plate(s) and over pin **X**.



**5** Using a standard ROLA key (R 6/01), lock the bolt in position.



## BRAMAH FITTING INSTRUCTIONS

**6** When fitting Rola Renown with more than one plate, R 5/05, R 5/06, use a spirit level to ensure that the plates are aligned and vertical. Position the plate furthest from the ball end flush with the end of the bolt, when the bolt is in the unbolted position. Leave sufficient distance to re-assemble bolt when plates have been positioned.

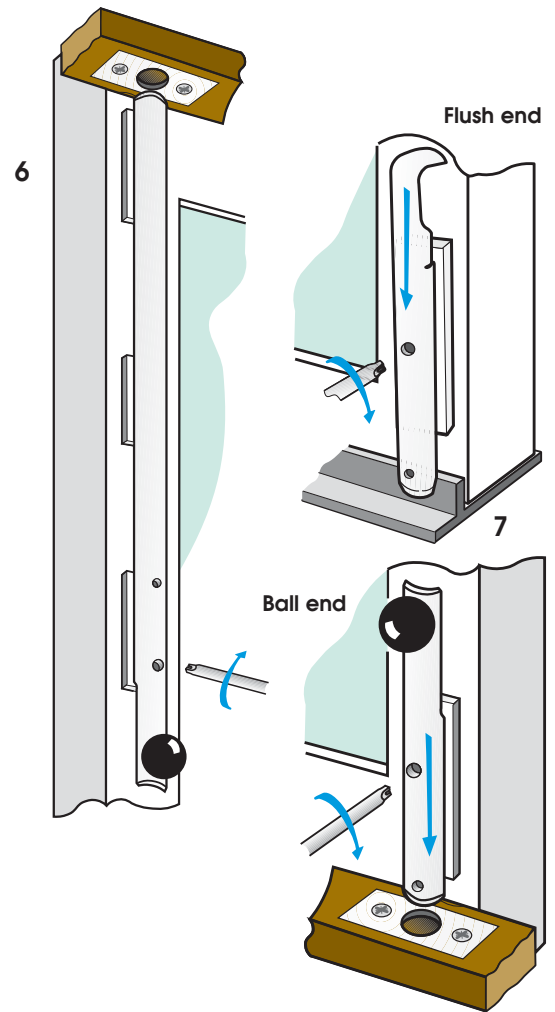
**7** The fitting of ball end or flush end bolt is identical.

### Contact Details

Enquires, catalogues, requests for quotes and all matters historical, not on this CD, can be directed to sales at **Bramah, 31 Oldbury Place, London W1U 5PT** or by the following contact numbers:

### Lock Manufacturing - Bramah and Rola Lock sales

Telephone: 44 (0)20 7486 1739  
Facsimile: 44 (0)20 7935 2779  
Email: [lock.sales@bramah.co.uk](mailto:lock.sales@bramah.co.uk)



9th February 2004